



(19) **United States**

(12) **Patent Application Publication**  
**Kellerhals**

(10) **Pub. No.: US 2011/0167536 A1**

(43) **Pub. Date: Jul. 14, 2011**

(54) **SPORTS WRISTBAND WITH LAYERED  
TRANSPARENT POCKETS**

(76) Inventor: **Jamison Kellerhals**, Phoenix, AZ  
(US)

(21) Appl. No.: **12/684,743**

(22) Filed: **Jan. 8, 2010**

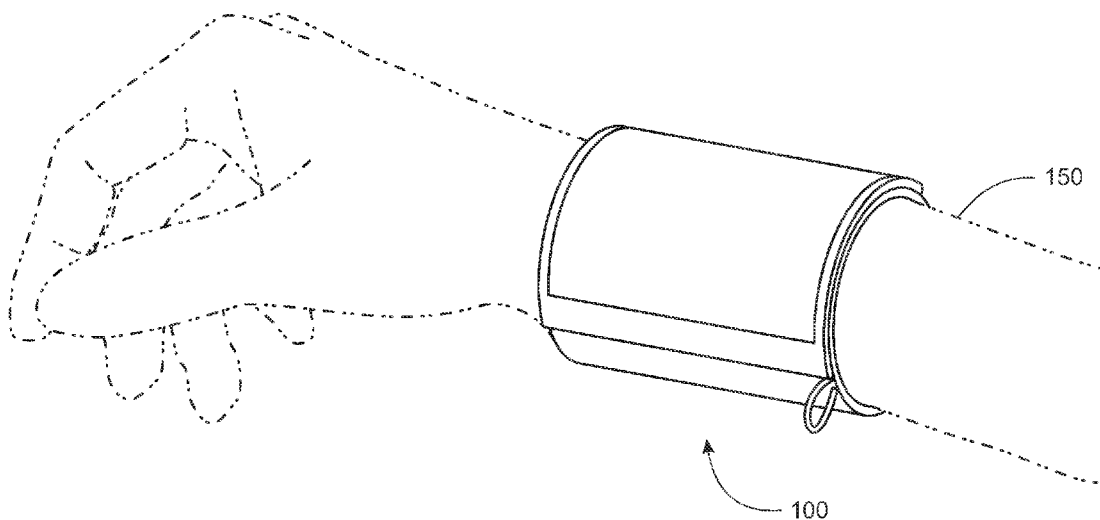
**Publication Classification**

(51) **Int. Cl.**  
**A41D 20/00** (2006.01)  
**A41D 27/20** (2006.01)  
**A45F 5/00** (2006.01)

(52) **U.S. Cl.** ..... **2/170; 2/252; 224/267**

(57) **ABSTRACT**

A sports wristband with layered transparent pockets is provided. The device includes an elastic band capable of being worn around a wrist and a storage portion attached thereto. The storage portion includes a transparent pocketed flap. Identification/license cards placed in the transparent pocketed flap can be displayed while the device is worn on the wrist and the flap is closed. When the transparent pocketed flap is opened, a set of twin, transparent pockets are revealed. Such a device is useful for carrying an identification card/license along with small items such as change and keys. Tournament fishermen can use the device to carry and display their fishing license and store tackle. Such an arrangement saves time during competition to access the tackle. In addition to providing a convenient way to carry small items, the wristband is preferably constructed of a sweat-absorbent material allowing the device to dually function as a sweatband.



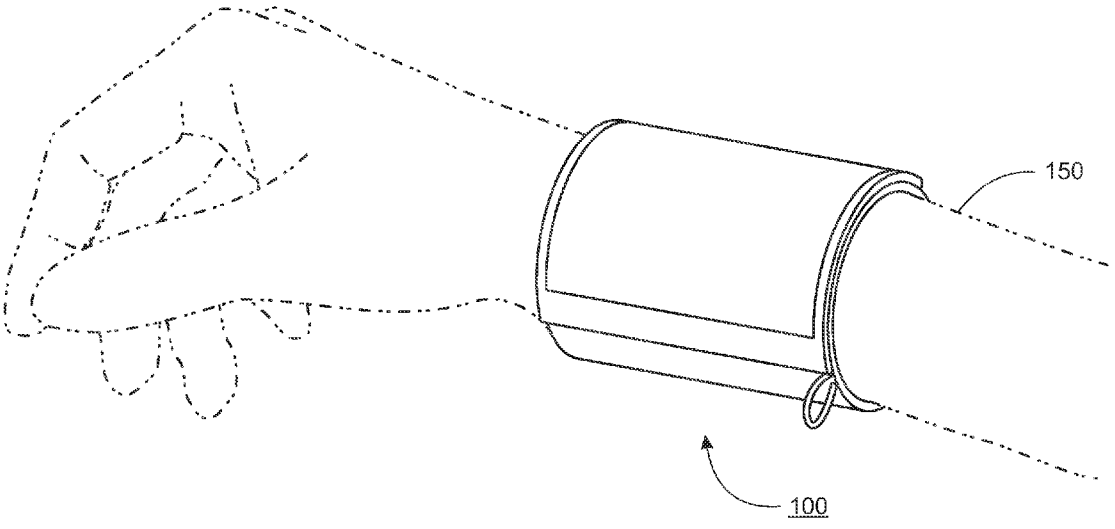


FIG. 1

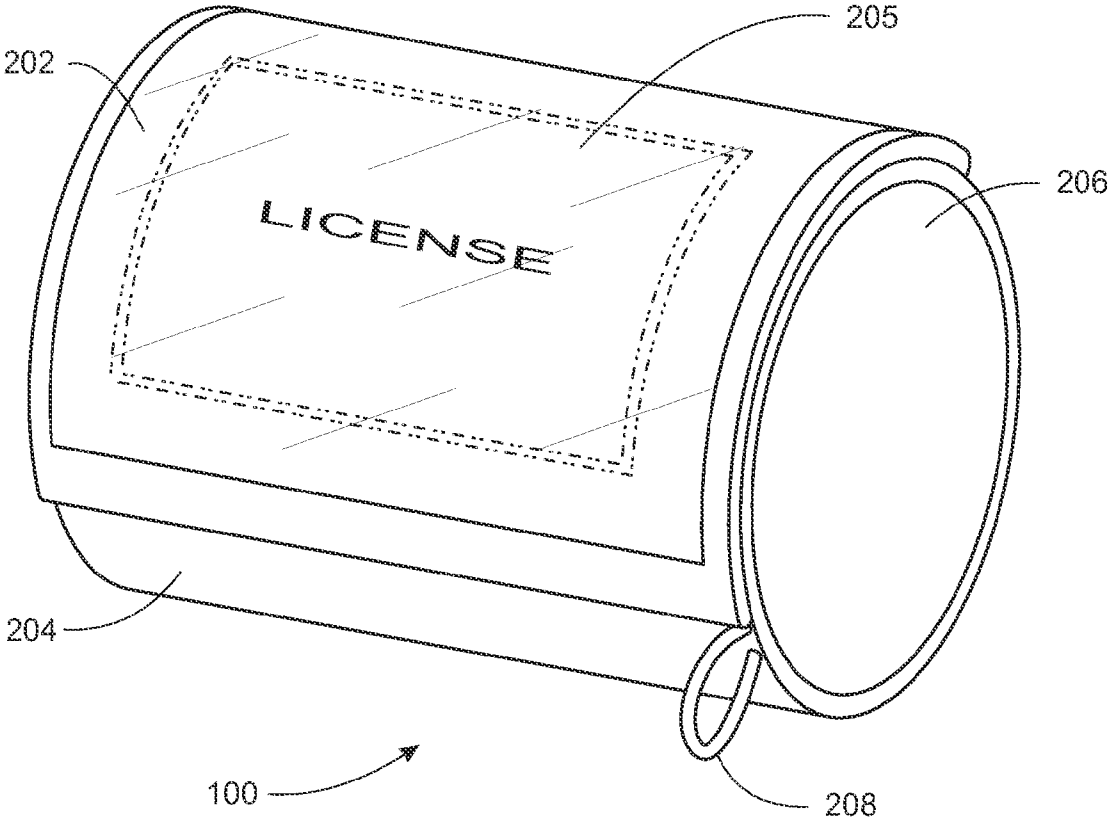


FIG. 2

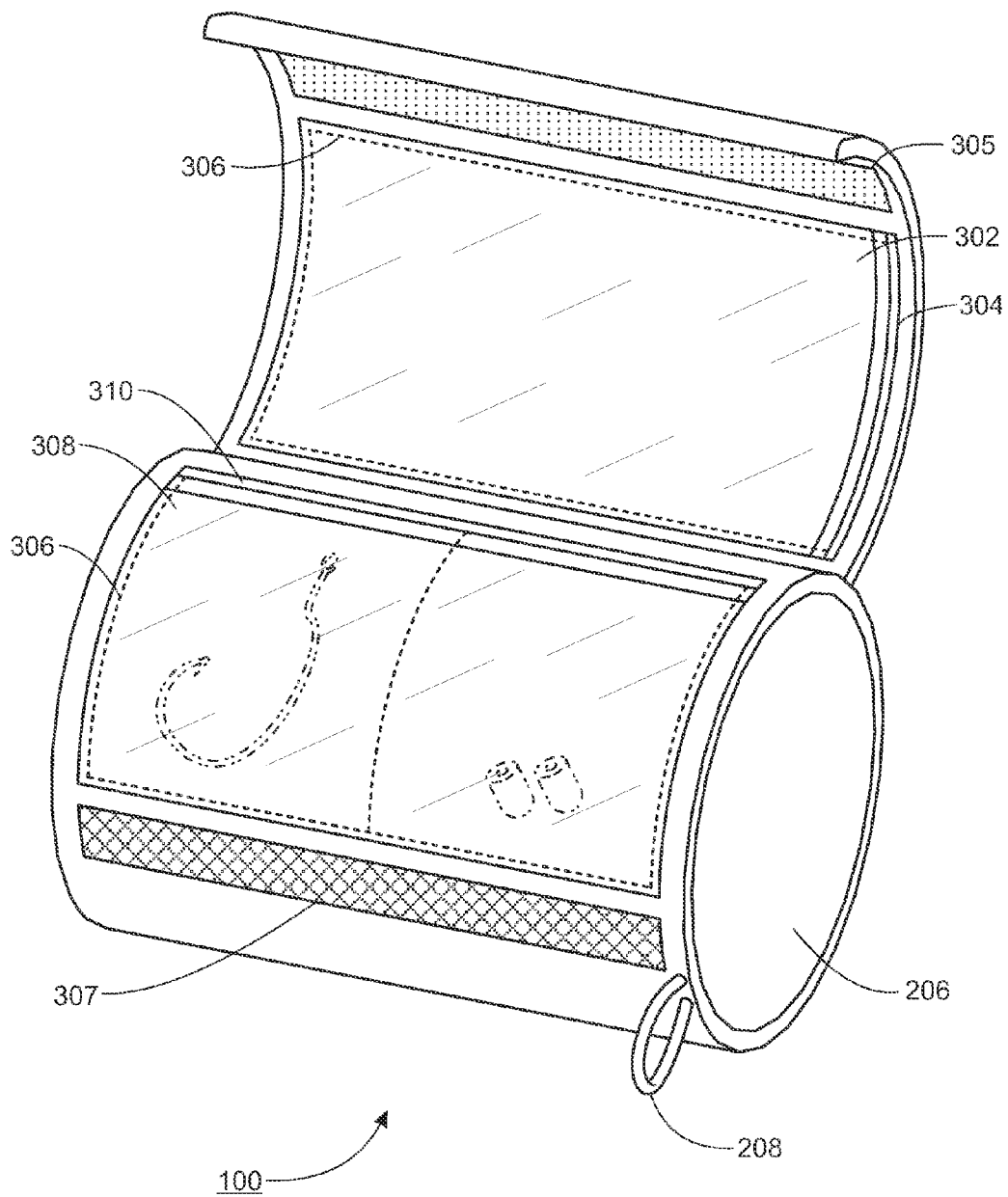


FIG. 3

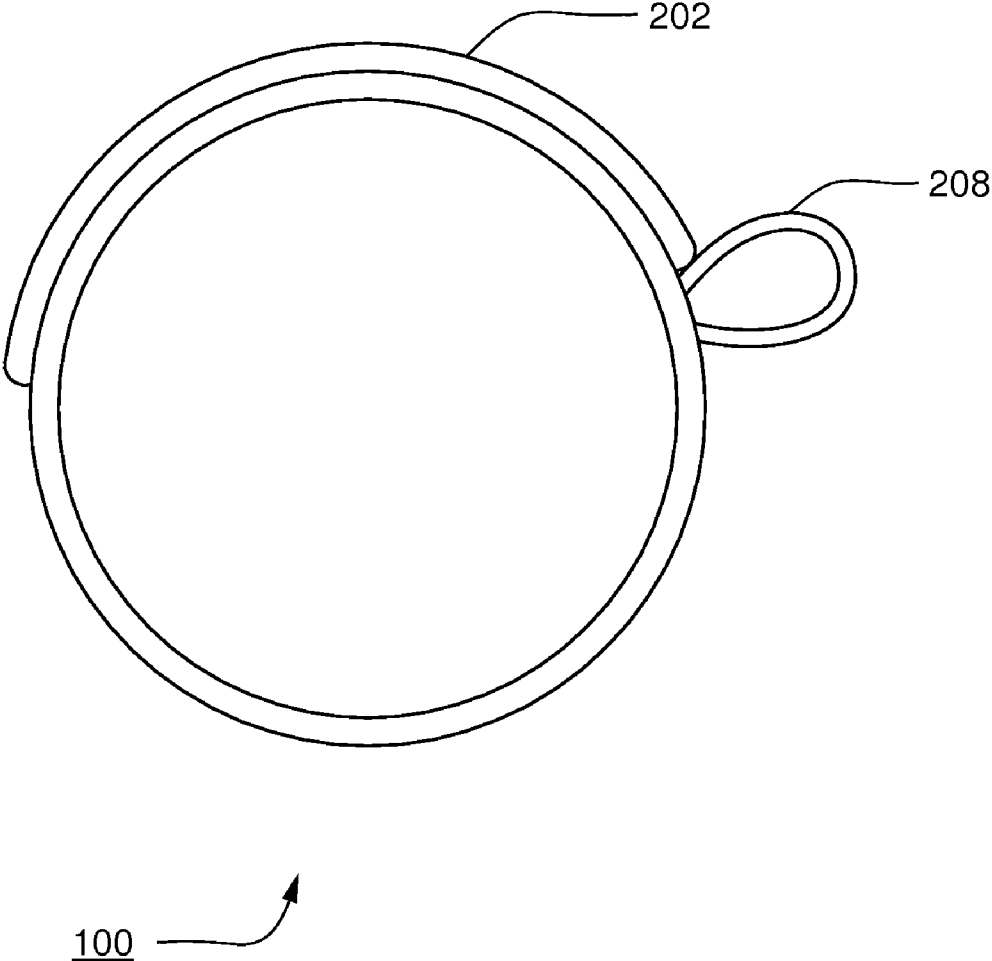


FIG. 4

**SPORTS WRISTBAND WITH LAYERED  
TRANSPARENT POCKETS**

**DETAILED DESCRIPTION**

**FIELD OF THE INVENTION**

**[0001]** The present invention relates to devices for carrying small items, and, more particularly, to devices for carrying small items which can be worn by a user.

**BACKGROUND**

**[0002]** Carrying small items while engaged in certain activities can be difficult. For example, a person exercising at the gym may have difficulty carrying keys, identification, change, etc., which can fall out of the person's pocket. The same applies when playing a competitive sport, running, bicycling, and so forth.

**[0003]** While it is possible to carry identification, or a key, on a chain around the neck, this can get in the way during rigorous activity. Alternately, some people put money, identification and other items in their shoes. However, putting items in one's shoes presents its own set of problems.

**[0004]** Although wearable devices for carrying small items exist, these devices tend to be limited in storage capacity, not easily accessible, cumbersome, and/or are structured to only hold items specific to a particular activity. Furthermore, such devices do not allow the user to view the items stored therein because they are constructed of opaque materials, making it difficult to determine which items are stored in the device, particularly when there are several storage compartments.

**SUMMARY OF THE INVENTION**

**[0005]** According to a preferred embodiment of the present invention, a wristband with layered transparent pockets is provided. The device includes tubular portion capable of being worn around a wrist and a storage portion attached thereto. The storage portion includes a transparent pocketed flap. Identification/license cards placed in the transparent pocketed flap can be displayed while the device is worn on the wrist and the flap is closed. When the transparent pocketed flap is opened, a set of twin, transparent pockets is revealed. Such a device is useful for carrying an identification card/license along with small items such as change and keys. In addition to providing a convenient way to carry small items, the wristband is preferably constructed of a sweat-absorbent material allowing the device to dually function as a sweatband.

**[0006]** These and other aspects, features, and advantages of the present invention will become apparent from the following detailed description of preferred embodiments, which is to be read in connection with the accompanying drawings.

**BRIEF DESCRIPTION OF THE DRAWINGS**

**[0007]** FIG. 1 shows an example of a sports wristband with layered transparent pockets, according to a preferred embodiment of the present invention;

**[0008]** FIG. 2 shows a close-up view of the sports wristband of FIG. 1 holding an license/identification card in an outer transparent pocket;

**[0009]** FIG. 3 shows the sports wristband holding various small items within the inner transparent pockets; and

**[0010]** FIG. 4 shows a side view of the sports wristband including a loop for conveniently carrying the device.

**[0011]** As depicted in FIG. 1, a sports wristband **100** is illustrated being worn on a user's wrist **150**. As will be described in greater detail, the sports wristband **100** includes a tubular portion that can fit snugly around a wrist and a storage portion, the storage portion including a transparent pocketed flap, wherein, when the transparent pocketed flap is opened, at least two other pockets are thereby made accessible. When a person is engaged in an activity in which it is inconvenient to carry small items in the conventional manner, the person can wear the sports wristband **100**, as shown, and carry, for example, an identification card/license in the transparent pocketed flap and various other small items in the pockets of the sports wristband **100**. In addition to providing a convenient way to carry small items, the tubular portion is preferably constructed of a sweat-absorbent material allowing the device to also function as a sweatband.

**[0012]** FIG. 2 illustrates a close-up view of the sports wristband **100**. Preferably, the sports wristband **100** measures about four inches in width and three inches in height. As shown, the sports wristband **100** includes a tubular portion **204** with a transparent pocketed flap **202**, hingeably connected thereto. By way of example, a person's license **205** is shown displayed through a transparent window of the transparent pocketed flap **202**. The tubular portion **204** can be made of various cloth materials having sufficient elasticity to allow the device to snugly fit around a user's wrist **150**. The tubular portion **204** includes a substantially circular opening **206** accommodating the user's wrist **150**, preferably, about 3 inches in diameter. Preferably, the sports wristband **100** also includes a loop **208**, as shown, for conveniently carrying the device when not being worn.

**[0013]** As mentioned, preferably, the tubular portion **204** is made from a sweat-absorbent material. Materials suitable for sweat absorption preferably include cotton, particularly terrycloth, as well as many cotton-synthetic combinations. However, other materials, including some relatively non-absorbent materials, could be used to construct the tubular portion **204**. Such materials include spandex and Tyvek™. In those cases, although the sports wristband **100** might not be useful as a sweatband, the materials chosen would provide other desirable qualities, such as durability.

**[0014]** It is to be appreciated that the choice of materials for any of the portions of the sports wristband **100** is a design choice and that consumer preferences may be taken into consideration. For example, the sports wristband **100** could be designed to match another article of clothing worn by the user, have various insignia, such as, for example, a corporate or alumni logo or symbol, etc. Additionally, the sports wristband **100** could be designed as a vehicle for a political and/or social statement, such as being a certain shade of pink to increase breast cancer awareness, etc. Additionally, it is to be appreciated that the exact dimensions of the sports wristband **100** may vary from the preferred embodiment discussed herein. For example, the sports wristband **100** could be sized to fit men and women, and/or adults and children, differently.

**[0015]** FIG. 3 illustrates the sports wristband **100** in an open position. As depicted, the transparent pocketed flap **202** has been pulled open to reveal twin transparent pockets **308**. As shown, the transparent pocketed flap **202** includes a first fastening portion **305** that can be attached to a second fastening portion **307** to allow the transparent pocketed flap **202** to assume a closed position. Preferably, the first fastening por-

tion 305 and the second fastening portion 307 are constructed using Velcro™, or other type of hook and loop fastener.

[0016] As shown, the transparent pocketed flap 202 is constructed of a first transparent material 302 that is layered to a second transparent material 304. Preferably, the first transparent material 302 and the second transparent material 304 are made from a plastic film. The first transparent material 302 and the second transparent material 304 are preferably stitched together, using stitches 306, as shown. However, the first transparent layer 302 and the second transparent layer 304 could, alternatively, be glued or otherwise attached.

[0017] Importantly, one of the side ends is left un-attached, so that a pocket forms. Such a pocket allows an identification card or license to be placed into the pocket, for example. Because the document is placed into a pocket constructed of transparent material, it can be displayed to others, as needed. Thus, one could place their fishing license in this pocket and display it as needed without having to open the device, which saves time and effort.

[0018] As noted, the sports wristband 100 includes twin transparent pockets 308 which are revealed when the transparent pocketed flap 202 is opened. The twin transparent pockets 308 can be constructed in a similar fashion as the transparent pocketed flap 202. In particular, a third transparent material 308 can be layered to a fourth transparent material 310 in the same manner as the first transparent material 302 is layered to the second transparent material 304, except that the unstitched side would be situated on the top of the twin transparent pockets 308, forming pockets. An additional line of stitching 306 would be used to separate the twin windows. Preferably, the twin transparent pockets 308 would each have identical dimensions; preferably, they would each measure 2.5 inches in height and 2 inches in width. Preferably, the twin transparent pockets 308 would be sufficiently large to store such items as terminal tackle (e.g., hooks, weights), as shown.

[0019] FIG. 4 shows a side view of the sports wristband 100 including the loop 208 for conveniently carrying the device when not being worn.

[0020] While this invention has been described in conjunction with the various exemplary embodiments outlined above, it is evident that many alternatives, modifications and variations will be apparent to those skilled in the art. Accordingly, the exemplary embodiments of the invention, as set forth above, are intended to be illustrative, not limiting. Various changes may be made without departing from the spirit and scope of the invention.

What is claimed is:

- 1. A wristband with layered pockets, comprising: an elastic band capable of being worn around a wrist and a storage portion attached thereto, the storage portion including a transparent pocketed flap, wherein, when the transparent pocketed flap is opened, at least two other pockets are thereby made accessible.
- 2. The wristband of claim 1, wherein the at least two other pockets are twin transparent pockets.

3. The wristband of claim 1, wherein the transparent pocketed flap is closeable using a fastener.

4. The wristband of claim 3, wherein the fastener is a hook-and-loop fastener.

5. The wristband of claim 1, wherein the at least two other pockets are capable of holding terminal tackle.

6. A wearable storage device, comprising: a first portion that allows the wearable storage device to be worn around a person's wrist; and a second portion, attached to the first portion, the second portion including a flap; wherein, when the flap is pulled open, at least two inner pockets are revealed.

7. The wearable storage device of claim 6, wherein the first portion includes a wristband.

8. The wearable storage device of claim 6, wherein the flap includes a pocket.

9. The wearable storage device of claim 7, wherein the pocket of the flap includes two pieces of substantially flat material with an opening that is at least two inches in width along a side.

10. The wearable storage device of claim 6 wherein the flap is constructed of a substantially transparent plastic material.

11. The wearable storage device of claim 6, wherein the flap includes a hinge, the hinge connecting the flap to the first portion.

12. The wearable storage device of claim 6, wherein the flap is closeable using a fastener.

13. The wearable storage device of claim 12, wherein the fastener includes a hook-and-loop fastener.

14. The wearable storage device of claim 6, wherein the at least two inner pockets are formed using two pieces of substantially flat material with respective openings at least one inch each in width.

15. The wearable storage device of claim 14, wherein the two inner pockets are constructed of a substantially transparent plastic material.

16. The wearable storage device of claim 7, wherein the wristband includes an elastic band.

17. The wearable storage device of claim 6, wherein the at least two inner pockets are capable of holding terminal tackle.

18. The wearable storage device of claim 17, wherein the terminal tackle includes one or more of a fishing hook, a weight, a lure, and a swivel.

19. A storage device, comprising: a first portion that allows the storage device to be worn around a person's wrist; and a second portion, attached to the first portion, the second portion including a transparent pocketed flap; wherein, when the transparent pocketed flap is pulled open, at least another transparent pockets is revealed.

20. The storage device of claim 19, wherein the transparent pocketed flap is closeable using a hook-and-loop fastener.

\* \* \* \* \*